

著作権に関する注意

本校の入試問題は著作権の対象となっており、著作権法で保護されています。
「私的使用のための複製」や「引用」など著作権法上認められた場合を除き、無断で複製・転用することはできません。

お断り

本校の入試問題中で引用した文章・文献等について、著作物保護の観点から一部掲載を控えた箇所があります。ご了承ください。

2021（令和3）年度

東北学院高等学校入学試験問題

＜一般 A日程＞

英 語

2021（令和3）年2月2日（火）

12：50～13：40（50分間）

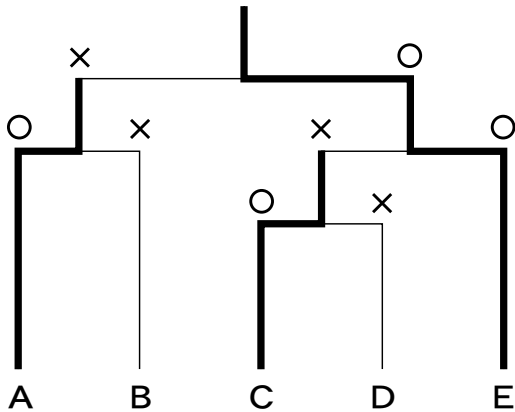
注意事項

1. 受験番号・氏名を解答用紙にはっきり記入しなさい。
2. 解答は、すべて解答用紙に記入しなさい。
3. 解答用紙だけを提出しなさい。

I リスニング

この問題では、1枚のイラストについてア～ウの3つの英文が放送されます。イラストの内容を最もよく表しているものをア～ウから1つ選び、記号で答えなさい。各英文は1回放送されます。

1



ア
イ
ウ

2



ア
イ
ウ

3

《日本に留学している Tom のプロフィール》

	好き	きらい
食べ物	ピザ	納豆
科目	歴史	数学
季節	夏	冬

ア
イ
ウ

4

《Ken の一日の行動》

6:00 起床・朝食

8:00 登校

~~~~~

18:00 帰宅

18:30 夕食

20:00 宿題

22:00 入浴

23:00 就寝

ア  
イ  
ウ

## Ⅱ リスニング

宮城県の学校に留学している Kevin と Jonah は、先生から宮城県の観光について説明を受けています。これから流れる放送と下の図を参考にして、Part A と Part B の問題に解答しなさい。

### Miyagi Museum of History

Entrance:

Open: 10:00 a.m. — 5:00 p.m.

※ 9:00 a.m. — 5:00 p.m. (on weekends)

### Miyagi Shopping Street

Enjoy shopping!

Restaurants are open every day.

### Miyagi Castle Hill

Entrance: for 500 yen

Open: 10:00 a.m. — 6:00 p.m.

※ There are many shops around the castle area.

### Miyagi Seaside

You can enjoy swimming from July 20th to August 20th.

Restaurants are open during this period.

**Part A** 宮城県の観光についての説明を聞き、設問(1)と(2)に答えなさい。説明の英文は2回放送されます。

(1) 図の中の  に入る表現として最も適切なものをア～エから1つ選び、記号で答えなさい。

ア for 500 yen

イ for free

ウ in 500 yen

エ in free

- (2) 次の質問に対する答えとして最も適切なものをア～エから1つ選び、記号で答えなさい。

[質問] Is Miyagi Castle Hill close to the Miyagi Museum of History?

- [答え] ア No, it doesn't.  
イ No, it isn't.  
ウ Yes, it does.  
エ Yes, it is.

- Part B** Kevin と Jonah は図を見ながら観光する計画を立てています。会話を聞き、設問(1)と(2)に答えなさい。会話は2回放送されます。

- (1) 下の質問に対する答えとして最も適切なものをア～エから1つ選び、記号で答えなさい。

[質問] Where are Kevin and Jonah going to have lunch?

- [答え] ア At Miyagi Castle Hill.  
イ At Miyagi Shopping Street.  
ウ At the Miyagi Museum of History.  
エ At the Miyagi Seaside.

- (2) Kevin と Jonah が訪れようとしている順番に以下のア～エを並べたとき、3番目にくるものを記号で答えなさい。

- ア Miyagi Castle Hill  
イ Miyagi Shopping Street  
ウ Miyagi Museum of History  
エ Miyagi Seaside

Ⅲ 二人の会話が成立するように、( )に入る最も適切なものをア～エから1つ選び、記号で答えなさい。

1 *Mary* : I practiced hard every day, but I lost the game yesterday.

*Masao* : I'm sorry to hear that. I don't know ( ).

ア how to say    イ how to speak    ウ what to say    エ what to speak

2 *John* : Why did you decide to buy the car?

*Taro* : Because it was the ( ). I didn't have much money.

ア cheapest    イ longest    ウ tallest    エ worst

3 *Sally* : Oh, your brother is so tall. How ( ) is he?

*Masao* : He is seventeen years old.

ア long    イ many    ウ old    エ tall

4 *Nancy* : ( ) did you think when you won the game?

*Taro* : I thought I should say thank you to my coach. He worked very hard for me.

ア How    イ What    ウ Who    エ Why

Ⅳ 二人の会話が成立するように、( )に入る最も適切な英語をそれぞれ1語書きなさい。ただし、答えはすべて( )内に示された文字で書き始めなさい。

1 *Emi* : What did you do in the gym last week?

*Satoru* : I played many kinds of ( s ) such as badminton, table tennis and basketball.

2 *Cathy* : How many books can you borrow at the ( l )?

*Bob* : We can borrow three books there.

3 *Saki* : What season do you go fishing the most?

*David* : I go fishing in ( s ). It's the hottest season of the year, but there's a cool place near the river.

V 二人の会話が成立するように（ ）内の語（句）を正しい順に並べかえたとき、（ ）内で2番目と4番目にくるものを記号で答えなさい。ただし、文頭にくる語（句）も小文字で始まっています。


1 *John* : Hello. My name is John. I came to Japan for the first time.

*Kumi* : Hello, John. (ア glad / イ I'm / ウ meet / エ to / オ you).

2 *Mike* : Wow! There are so many computers in this room!


*Mr.Ito* : Yes. All (ア are / イ by / ウ the computers / エ the students / オ used) every day.

VI 次の英文は MBS ホテルとそこに滞在しようとしている佐藤さん(Mr.Sato)とのメールのやり取りです。メールを読み、その内容を表す 1～4 の英文の ( ) に入れるのに最も適切なものをそれぞれア～エから 1 つ選び、記号で答えなさい。

 To : Mr.Sato  
From : MBS Hotel August 30th, 2020


Dear Mr.Sato  
Greetings from MBS Hotel!  
Thank you for your <sup>1</sup>reservation on September 20th. However, we haven't received your <sup>2</sup>payment and you haven't finished your reservation yet. We have to receive your payment by September 6th. If you have any questions about this, please e-mail us.  
Best regards,  
MBS Hotel

<sup>1</sup>reservation : 予約    <sup>2</sup>payment : 支払い

 To : MBS Hotel  
From : Sato September 1st, 2020

Dear MBS Hotel,  
Thank you for your e-mail.  
I haven't sent the payment yet because I was planning to send it tomorrow.  
I don't have enough money right now and the <sup>3</sup>bank is already closed today, so I can't do anything until tomorrow.  
I'll e-mail you after I send the money tomorrow.  
Sincerely,  
Sato

<sup>3</sup>bank : 銀行

 To : MBS Hotel  
From : Sato September 2nd, 2020

Dear MBS Hotel,  
I sent the payment this morning. Would you please  ?  
If you have any questions, please e-mail me.  
Sincerely,  
Sato



To : Mr.Sato  
From : MBS Hotel

September 2nd, 2020



Dear Mr.Sato

Greetings from MBS Hotel!

We have received your payment and your reservation is completed.

We look forward to welcoming you and wish you a wonderful stay.

Please contact us if you need any help.

Thank you for choosing MBS Hotel!

Sincerely yours,

MBS Hotel

- 1 The hotel sent the first e-mail to Mr. Sato because ( ).  
ア Mr. Sato changed his schedule  
イ Mr. Sato didn't finish making a reservation  
ウ Mr. Sato didn't know the right way to make a reservation  
エ Mr. Sato sent the money on September 6th
- 2 The first e-mail from Mr. Sato says Mr. Sato has not sent his money because ( ).  
ア he tried to send money, but the bank was closed  
イ he was going to bring the money to the hotel on September 20th  
ウ he was thinking of sending the money on September 2nd  
エ the bank was closed though he had enough money when he sent the e-mail
- 3 The best words for  in the second e-mail from Mr. Sato is ( ).  
ア check it  
イ finish his reservation  
ウ send it back to me  
エ show me the e-mail
- 4 The last e-mail from the hotel says ( ).  
ア Mr. Sato finished making the reservation  
イ the hotel had a very good day with Mr. Sato  
ウ the hotel will help Mr. Sato to make another reservation  
エ the hotel will send an e-mail again soon



**Ⅶ** 次の英文を読んで、あとの設問に答えなさい。なお、文章の左にある[1]～[7]は段落の番号を表しています。

著作物保護のため掲載を控えます

## 著作物保護のため掲載を控えます

出典 Pearson English Readers Level 1 『Mother Teresa』  
(D'Arcy Adrian-Vallance 著)

- 1 本文中の(あ)～(え)に入る最も適切なものを次の語群から選んで記号で答えなさい。ただし、同じものは一度しか用いることができません。また、文頭にくる語も小文字で示しています。

語群    ア because      イ but      ウ for      エ in      オ so      カ with

- 2 次の文を入れるのに最も適切な場所を **A** ～ **D** から 1 つ選び、記号で答えなさい。

How did she start her new work?

- 3 下線部①の語を、最も適切な形にしなさい。

- 4 ( ② )に入れるのに文脈上最も適切な 1 語を、第[4]段落の中から探して答えなさい。

- 5 **③** に以下のア～エを適切な順番に並べて入れるとき、その順番を記号で答えなさい。

ア After two years, ten more nuns joined them.

イ For two months, Mother Teresa worked alone and it was a difficult time for her.

ウ Then two of her Indian students came to her and worked with her.

エ Those thirteen people all had blue and white saris, and they had a name: "The Missionaries of Charity."

6 第[6]段落をまとめた文章として最も適切なものをア～エから1つ選び、記号で答えなさい。

ア After the TV program in the U.K. in 1969, Mother Teresa started to help people by sending them letters and money.

イ A TV program was shown around the world, and Mother Teresa was introduced in it. However, even after that, people around the world didn't know about her work.

ウ Mother Teresa was famous all over the world and people wanted to work with her before the TV program in the U.K. in 1969.

エ After the TV program in the U.K. in 1969, people around the world watched the program and wanted to help her.

7 次の質問に対する答えを、に5語程度の英語を入れて完成させなさい。

[質問] Why was Mother Teresa on TV again in 1979?

[答え] Because she was .

8 本文の内容と一致するものをア～カから2つ選び、記号で答えなさい。解答の順序は問いません。

ア Most Indian women wear blue and white saris.

イ The government built a school for poor children in the slum Mother Teresa often visited.

ウ Mother Teresa thought she should be with people when they were going to die.

エ People in Calcutta didn't know anything about Mother Teresa before they watched her on TV.

オ In 1979, people couldn't do anything to help others with only \$150,000.

カ Mother Teresa thought loving family is a good way to get world peace.

## VIII

鉄郎(Tetsuro)が仙台駅で、留学生のトム(Tom)と時刻表を見ながら翌日の旅行について次のような会話をしています。英文を読んで、あとの設問に答えなさい。

| Train           |     | Hayabusa 95 | Hayabusa 1 | Hayate 111 | Hayabusa 3 | Hayabusa 101 | Train           |     | Hayate 112 | Hayabusa 8 | Hayabusa 104 | Hayabusa 10 | Hayate 114 |
|-----------------|-----|-------------|------------|------------|------------|--------------|-----------------|-----|------------|------------|--------------|-------------|------------|
| Sendai          | Ar. |             | 8:04       | 8:57       | 9:10       | 9:30         | Morioka         | Ar. |            | 7:54       |              | 8:44        |            |
|                 | Dp. | 6:40        | 8:06       | 8:58       | 9:12       | 9:36         |                 | Dp. | 7:16       | 8:00       | 8:10         | 8:50        | 8:57       |
| Furukawa        | Dp. | 6:53        | ✓          | 9:12       | ✓          | 9:50         | Shin Hanamaki   | Dp. | 7:28       | ✓          | 8:21         | ✓           | 9:09       |
| Kurikoma Kogen  | Dp. | 7:02        | ✓          | 9:21       | ✓          | 9:59         | Kitakami        | Dp. | 7:35       | 8:14       | 8:29         | ✓           | 9:16       |
| Ichinoseki      | Dp. | 7:12        | ✓          | 9:33       | ✓          | 10:12        | Mizusawa Esashi | Dp. | 7:44       | ✓          | 8:38         | ✓           | 9:25       |
| Mizusawa Esashi | Dp. | 7:22        | ✓          | ✓          | ✓          | 10:22        | Ichinoseki      | Dp. | 7:59       | 8:28       | 8:48         | ✓           | 9:35       |
| Kitakami        | Dp. | 7:30        | ✓          | ✓          | ✓          | 10:30        | Kurikoma Kogen  | Dp. | 8:09       | ✓          | 8:57         | ✓           | 9:44       |
| Shin Hanamaki   | Dp. | 7:38        | ✓          | ✓          | ✓          | 10:38        | Furukawa        | Dp. | 8:18       | 8:41       | 9:06         | ✓           | 9:58       |
| Morioka         | Ar. | 7:49        | 8:45       | 10:11      | 9:52       | 10:49        | Sendai          | Ar. | 8:31       | 8:54       | 9:19         | 9:29        | 10:12      |
|                 | Dp. | 8:00        | 8:49       |            | 9:56       |              |                 | Dp. | 8:33       | 8:55       | 9:21         | 9:30        | 10:13      |

Ar. : 到着 Dp. : 出発

*Tetsuro:* Hi, Tom.

*Tom :* Hi, Tetsuro. You are late.

*Tetsuro:* I'm sorry.  our tickets yet?

*Tom :* No, not yet. I don't know which train is the best. I know we want to arrive at Shin Hanamaki by 9:30... If we take the Hayabusa 95, we will arrive at Shin Hanamaki too early. But we'll be late if we take the Hayabusa 101.

*Tetsuro:* Let's see...

It will be more expensive, but it seems to be the best way.

*Tom :* You're right. Let's go and buy the tickets!

- 二人の会話が成立するように、本文中の  に入る英語 3 語を答えなさい。
- 二人の会話が成立するように、本文中の  に 3 文以上の英文を書きなさい。ただし、時刻表の情報にふれながら書きなさい。

< 以 下 余 白 >

**I** リスニング（スクリプト）（日本語指示略）

1

- ア Team A was weaker than team B.
- イ Team C was stronger than team E.
- ウ Team E was stronger than team A.

2

- ア He is full now.
- イ He is hungry now.
- ウ He is thirsty now.

3

- ア Tom likes math better than history.
- イ Tom likes the cold season.
- ウ Tom's favorite food is pizza.

4

- ア Ken does his homework before dinner.
- イ Ken goes to bed before 10:00 p.m.
- ウ Ken takes a bath after doing his homework.

**II** リスニング（スクリプト）

Part A

Welcome to Miyagi. I'll show you some of the popular places to visit. At the Miyagi Museum of History, you can learn a lot about the history of Miyagi. You don't need any money to enter the museum. It's open from 10:00 a.m. to 5:00 p.m. on weekdays. It opens one hour earlier on weekends.

Near the museum we have Miyagi Castle Hill. You can enter the castle area and enjoy walking around for 500 yen. It closes at 6:00 p.m. but most shops outside the area are open until 7:00 p.m. every day.

If you want to enjoy shopping, you should visit Miyagi Shopping Street. There are various shops next to each other. I hope you can get something you like and enjoy a meal in the restaurants.

In summer, don't forget to visit the Miyagi Seaside. Many people go to the beach. You can enjoy swimming from July 20th to August 20th. Restaurants are open from 11:00 a.m. to 8:00 p.m. during this period.

Part B

*Kevin* : Let's make a plan for this Saturday, Jonah. How about going to the seaside first? We can enjoy swimming and eat seafood for lunch.

*Jonah* : I don't want to swim in the sea, but I want to take some pictures. I love seafood so let's have lunch there.

*Kevin* : OK. So we don't need swimsuits. How about going to the Miyagi Museum of History after lunch?

*Jonah* : Sounds good. Then we can walk to Miyagi Castle Hill from the museum.

*Kevin* : Yes. I like castles. They're so cool!

*Jonah* : Well, do you know that we can't see castle buildings there anymore? There are only stone walls there now.

*Kevin* : Of course, I do. It doesn't matter. I want to get some postcards.

*Jonah* : I see. By the way, I need to get a new bag.

*Kevin* : Let's go to Miyagi Shopping Street after I get some postcards.

*Jonah* : All right, Kevin.